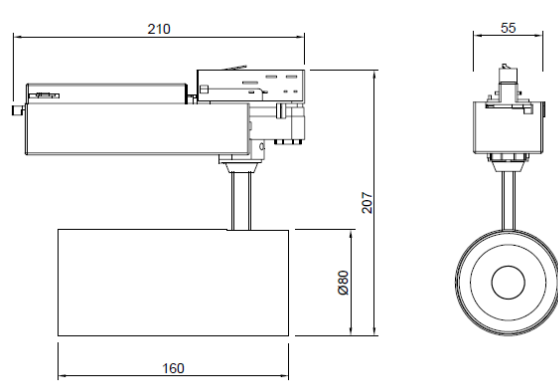


BASIC INFORMATION			
Product Name	20W LED TRACK LIGHT_3 Wire	Item code	LLD.TRK.20W. WHT.3CCT LLD.TRK.20W. BLK.3CCT
Feature	LED Tracklight, Single circuit for professional projects, User-friendly installation, Tri-color CCT change		
Product Material	Aluminum		
Product Colour	Black/White		
Lamp Type	Fixed LED		
EEI (Energy Efficiency Index)	N/A		



ELECTRICAL DATA			
Nominal voltage	AC220-240V	Nominal current	0.09A
Nominal power	20W	Power Consumption	20W
Operating frequency	50/60Hz	Lamp power factor	>0.9
Classification of Insulation	Class II	Dimmable	Non dimmable
Driver / Trasfo. Data	220~240Vac~50/60Hz		

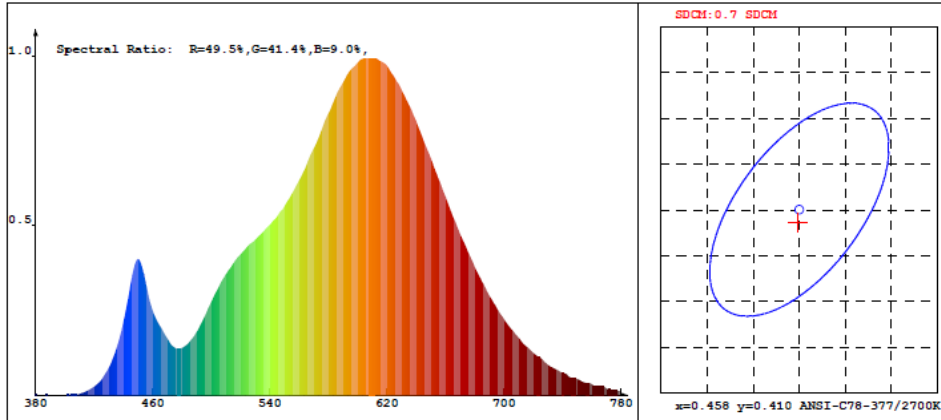
LIGHT TECHNICAL DATA			
LED Brand	Epistar COB	No. of LED	1 PC
LED operating input current	0.48A	LED power (total)	20W
Colour temperature	2700K/4000K/6500K	Colour rendering index Ra	>80
Luminous flux (lumen) <i>(for directional lamps: 90° cone)</i>	1300-1700lm	Equivalent wattage	100W
Nominal beam angle (°)	24°	Luminous peak intensity	N/A

MECHANICAL INFORMATION	
Size on lamp (mm)	

Product Mark

Product Type
 Temperature :29'C
 Operator :YAN
 Remark:

Manufacturer :
 Humidity :54%
 Test Date :2021-07-30 13:49:46



Chroma Parameters

Chro.Coor.:x=0.4576 y=0.4087 u=0.2619 v=0.3508 duv=-0.0005
 CCT: 2716K Dominant Wave.:584.3nm Purity:60.0%
 Flux RGB Ratio:R=25.1%,G=73.6%,B=1.2% Peak Wave:608.7nm Half Width:127.9nm

Rendering Index:Ra= 84.2

R1 =83 R2 =91 R3 =97 R4 =83 R5 =83 R6 =91 R7 =84 R8 =62
 R9 =19 R10=81 R11=83 R12=76 R13=84 R14=99 R15=76

Photo Parameters

Flux:1345.73lm Effi.:70.6lm/W Radiant:4019.5mW Iv:0.0mcd
 Efficiency:0.193 Effi Level:A (EU 874-2012)

Ele. Parameters

Voltage:U=231.700V Current:I=0.0860A
 Power:P=19.07W Power Factor:PF=0.948

Instrument state

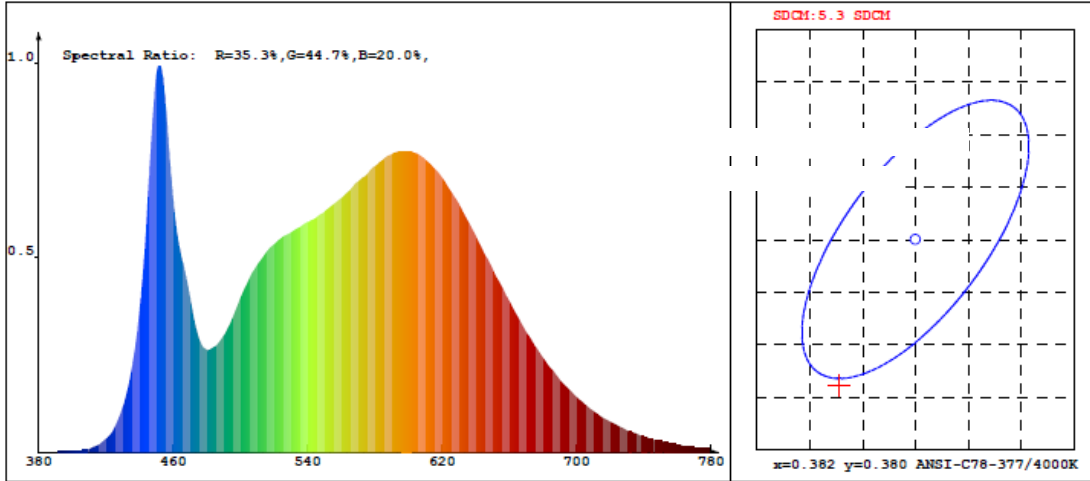
Instrument:Hopoo HP8000 Integral Time: 89.332ms VPeak: 14863
 VDark: 1141 Scan Range: 380-780nm Product ID: 201608142



Product Mark

Product Type :
Temperature :29'C
Operator :YAN
Remark:

Manufacturer :
Humidity :54%
Test Date :2021-07-30 13:48:35



Chroma Parameters

Chro.Coord.:x=0.3746 y=0.3658 u=0.2257 v=0.3305 duv=-0.0035
CCT: 4084K Dominant Wave.:581.0nm Purity:22.2%
Flux RGB Ratio:R=19.0%,G=78.3%,B=2.7% Peak Wave:451.6nm Half Width:22.2nm

Rendering Index:Ra= 87.9

R1 =88 R2 =93 R3 =96 R4 =87 R5 =88 R6 =89 R7 =88 R8 =74
R9 =35 R10=83 R11=87 R12=67 R13=90 R14=98 R15=84

Photo Parameters

Flux:1643.64lm Effi.:89.9lm/W Radiant:4969.6mW Iv:0.0mcd
Efficiency:0.152 Effi Level:A+ (EU 874-2012)

Ele. Parameters

Voltage:U=231.300V Current:I=0.0830A
Power:P=18.29W Power Factor:PF=0.943

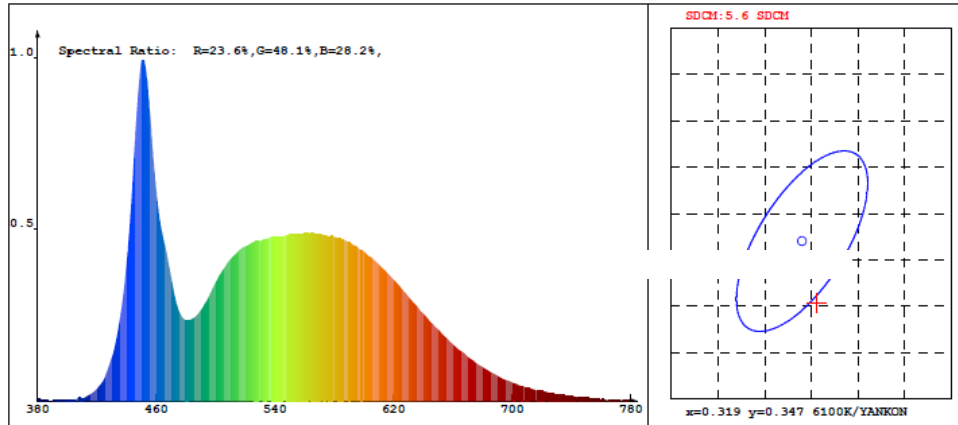
Instrument state

Instrument:Hopoo HP8000 Integral Time: 73.529ms VPeak: 15551
VDark: 1057 Scan Range: 380-780nm Product ID: 201608142



Product Mark
Product Type :
Temperature :29'C
Operator :YAN
Remark:

Manufacturer :
Humidity :54%
Test Date :2021-07-30 13:40:13



Chroma Parameters

Chro.Coor.:x=0.3206 y=0.3403 u=0.1990 v=0.3169 duv=0.0051
CCT: 6047K Dominant Wave.:498.9nm Purity:3.9%
Flux RGB Ratio:R=13.8%,G=82.5%,B=3.7% Peak Wave:451.6nm Half Width:21.6nm

Rendering Index:Ra= 83.2

R1 =81 R2 =87 R3 =92 R4 =83 R5 =82 R6 =83 R7 =88 R8 =70
R9 =9 R10=70 R11=82 R12=58 R13=83 R14=96 R15=76

Photo Parameters

Flux:1685.06lm Effi.:87.0lm/W Radiant:5006.3mW Iv:0.0mcd
Efficiency:0.157 Effi Level:A+ (EU 874-2012)

Ele. Parameters

Voltage:U=230.400V Current:I=0.0880A
Power:P=19.36W Power Factor:PF=0.950

Instrument state

Instrument:Hopoo HP8000 Integral Time: 43.183ms VPeak: 13311
VDark: 1111 Scan Range: 380-780nm Product ID: 201608142