
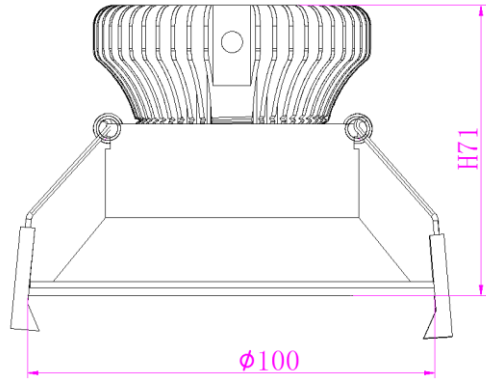
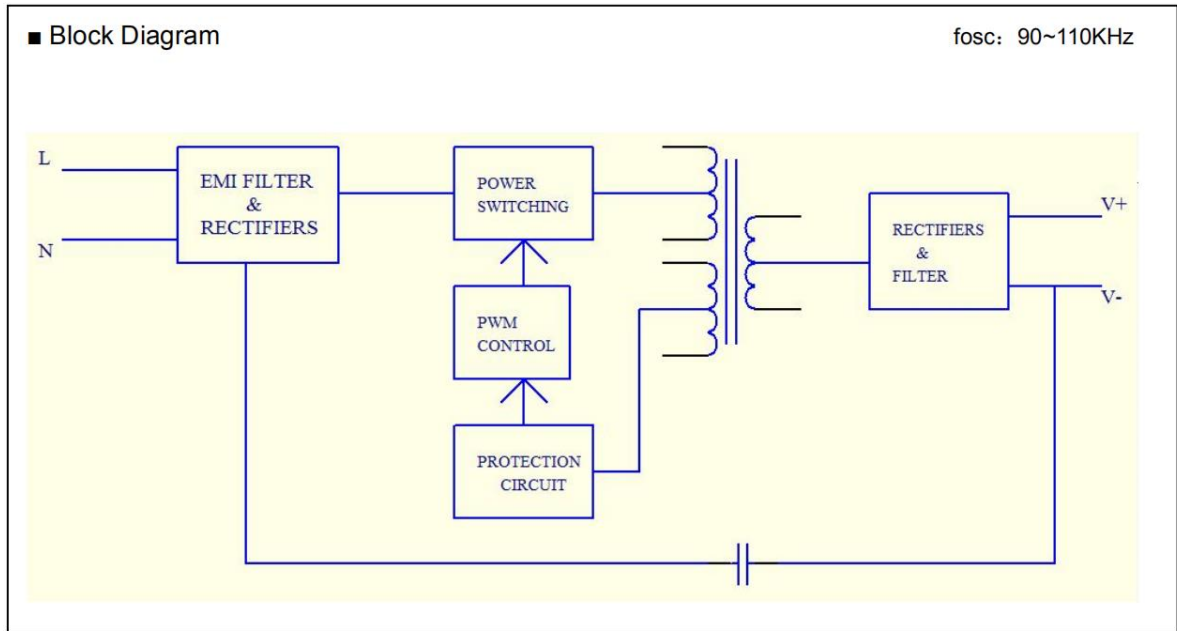


BASIC INFORMATION			
Product Name	LLD.ARIONTRI.COLOUR	Item code	LLD.1206.BLK/ WHT-3CCT
Feature	Multipurpose LED wall Lamp, User-friendly installation, DALI dimmable		
Product Material	Aluminum		
Product Colour	Brushed Black/Matt white/ Matt black		
Lamp Type	Fixed LED		
EEI (Energy Efficiency Index)	N/A		
			
ELECTRICAL DATA			
Nominal voltage	AC220-240V	Nominal current	0.051A
Nominal power	12W	Power Consumption	12W
Operating frequency	50/60Hz	Lamp power factor	>0.9
Classification of Insulation	Class II	Dimmable	DALI Dimmable
Driver / Trasfo. Data	220~240Vac~50/60Hz SEC: 0.006A,300mA, SAA&CE approved.		
LIGHT TECHNICAL DATA			
LED Brand	Epistar	No. of LED	1 PC
LED operating input current	0.055A	LED power ( total )	12W
Colour temperature	3000K/4000K/6000K	Colour rendering index Ra	>80
Luminous flux (lumen) <i>(for directional lamps: 90° cone)</i>	928lm	Equivalent wattage	60W
Nominal beam angle (°)	60°	Luminous peak intensity	N/A
MECHANICAL INFORMATION			
Size on lamp (mm)			
Mounting	Recessed Downlight	Tiltable Angle (if applicable)	N/A
IP Class (if applicable)	IP44	Rotation Angle(if applicable)	N/A
Surface peak temp.	45°	Lifespan (Hrs)	30,000Hrs

**Wiring Diagram:**

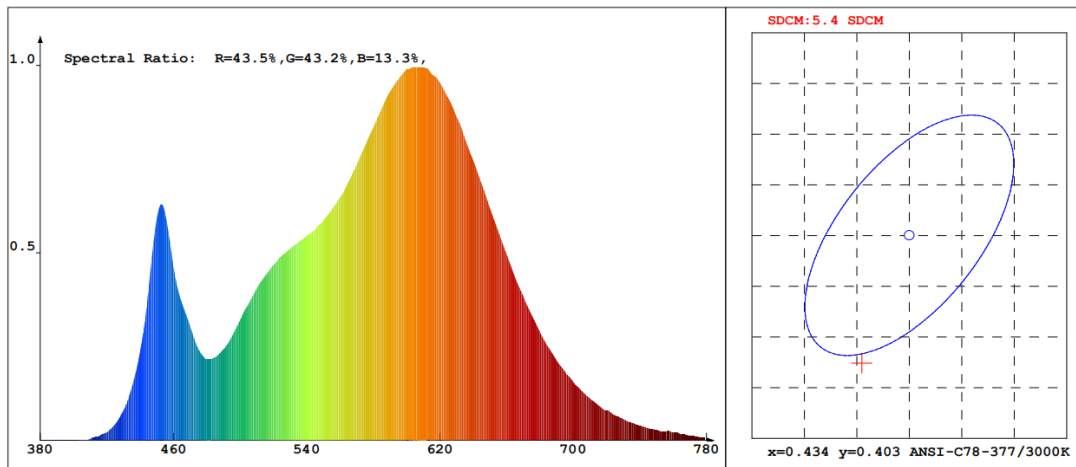


## Sphere Test Report

**Product Mark**

Product Type :  
 Temperature :29'C  
 Operator :  
 Remark:12W3000K

Manufacturer :  
 Humidity :38%  
 Test Date :



**Chroma Parameters**

Chro.Coor.:x=0.4293 y=0.3904 u=0.2516 v=0.3432 duv=-0.0045  
 CCT: 3018K Dominant Wave.:584.5nm Purity:46.0%  
 Flux RGB Ratio:R=23.6%,G=74.5%,B=1.9% Peak Wave:604.8nm Half Width:132.2nm

**Rendering Index:Ra= 85.9**

R1 =86 R2 =94 R3 =96 R4 =85 R5 =87 R6 =93 R7 =82 R8 =64  
 R9 =22 R10=87 R11=86 R12=79 R13=88 R14=99 R15=79

**Photo Parameters**

Flux:923.84lm Effi.:74.3lm/W Radiant:2722.1mW Iv:0.0mcd  
 Efficiency:0.173 Effi Level:A (EU 874-2012)

**Ele. Parameters**

Voltage:U=230.000V Current:I=0.0550A  
 Power:P=12.43W Power Factor:PF=0.982

**Instrument state**

Instrument:Hopoo HP8000 Integral Time: 102.228ms VPeak: 13471  
 VDark: 1176 Scan Range: 380-780nm Product ID: 201608142

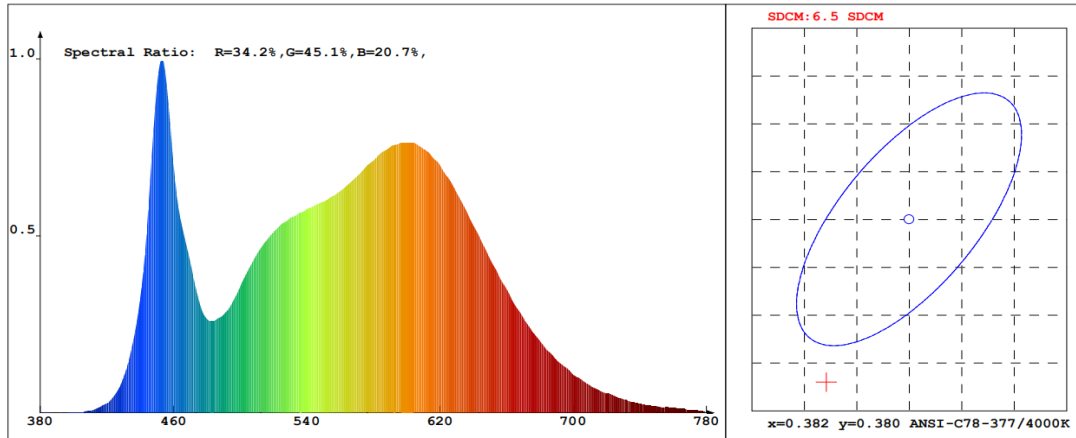


# Sphere Test Report

**Product Mark**

Product Type :  
Temperature :29'C  
Operator :  
Remark :12W4000K

Manufacturer :  
Humidity :38%  
Test Date :



**Chroma Parameters**

Chro.Coor.:x=0.3739 y=0.3627 u=0.2265 v=0.3295 duv=-0.0048  
CCT: 4081K Dominant Wave.:582.1nm Purity:21.0%  
Flux RGB Ratio:R=19.2%,G=77.9%,B=2.9% Peak Wave:452.6nm Half Width:22.6nm

**Rendering Index:Ra= 88.0**

R1 =89 R2 =95 R3 =96 R4 =86 R5 =88 R6 =90 R7 =88 R8 =73  
R9 =33 R10=85 R11=86 R12=67 R13=91 R14=98 R15=85

**Photo Parameters**

Flux:1060.68lm Effi.:87.2lm/W Radiant:3167.2mW Iv:0.0mcd  
Efficiency:0.151 Effi Level:A+ (EU 874-2012)

**Ele. Parameters**

Voltage:U=230.600V Current:I=0.0530A  
Power:P=12.17W Power Factor:PF=0.980

**Instrument state**

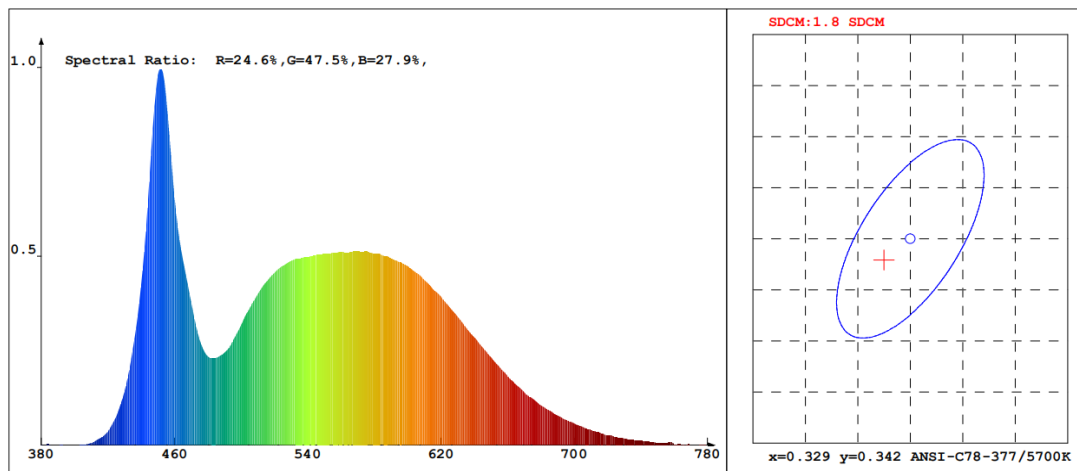
Instrument:Hopoo HP8000 Integral Time: 76.401ms VPeak: 13487  
VDark: 1162 Scan Range: 380-780nm Product ID: 201608142

## Sphere Test Report

**Product Mark**

Product Type :  
 Temperature :29'C  
 Operator :  
 Remark:12W6000K

Manufacturer :  
 Humidity :38%  
 Test Date :



**Chroma Parameters**

Chro.Coor.:x=0.3262 y=0.3396 u=0.2031 v=0.3173 duv=0.0021  
 CCT: 6130K Dominant Wave.:503.7nm Purity:2.2%  
 Flux RGB Ratio:R=14.5%,G=81.9%,B=3.6% Peak Wave:451.6nm Half Width:23.2nm

**Rendering Index:Ra= 83.8**

R1 =82 R2 =88 R3 =90 R4 =84 R5 =83 R6 =83 R7 =89 R8 =72  
 R9 =15 R10=70 R11=83 R12=59 R13=84 R14=95 R15=79

**Photo Parameters**

Flux:988.95lm Effi.:79.3lm/W Radiant:2968.7mW Iv:0.0mcd  
 Efficiency:0.164 Effi Level:A+ (EU 874-2012)

**Ele. Parameters**

Voltage:U=230.400V Current:I=0.0550A  
 Power:P=12.47W Power Factor:PF=0.981

**Instrument state**

Instrument:Hopoo HP8000 Integral Time: 63.176ms VPeak: 13535  
 VDark: 1144 Scan Range: 380-780nm Product ID: 201608142